



panel mount



desktop version

- 85 keys, silicone rubber
- IP67 sealing
- 38 mm ergonomic trackball

IEC60945 COMPACT RUBBER KEYBOARD WITH ERGONOMIC TRACKBALL

This 85 key backlit keyboard features a compact keyboard with integrated waterproof 38 mm ergonomic trackball with scroll wheel. The rubber keys are proven for efficient cleaning, reduced disinfection time and protection against cross contamination. The backlit keys warrant for optimized performance while working in low-light environments. Panel mount and desktop version available.

MAIN FEATURES

- Certificate of Conformity fully compliant with IEC60945
- Compact layout, 85 full travel keys
- 38 mm waterproof ergonomic trackball with hall-effect scroll wheel
- Removable ball for easy cleaning
- Dimmable backlighting at 8 levels by two dedicated keys (FN key + arrow up/down)
- No external power supply necessary, keyboard port power sufficient
- Low power LED's warrant for a long life
- White backlighting as standard, other colours on request
- Compact thickness

PANEL MOUNT VERSION

- Front panel mounting with M3 stud, 10 x M3 x 15 mm
- Dimensions: 415 x 145 x 79 mm
- Weight: 0,7 kg

DESKTOP VERSION

- ABS enclosure
- Dimensions: 420 x 150 x 68,22 mm
- Weight: 1,2 kg

CUSTOMIZATION

Possible customization includes adapted backlighting controls, addition of company logo or specific function keys, different layouts, different colour. All this without having to reapply for certification.



GENERAL TECHNICAL SPECIFICATIONS

KEYBOARD

| | |
|--------------------|----------------------------|
| Sealing | IP67 sealed frontal |
| Keys | 85 full travel rubber keys |
| Pointing device | 38 mm ergonomic trackball |
| Output | 1,6 m USB cable |
| Power requirements | Directly from USB port |
| Operating temp. | -15°C to +70°C |
| Storage temp. | -40°C to +85°C |
| Switch force | 300 grams ± 100 grams |
| Switch stroke | 1,5 mm |
| Lifetime switches | 1 million actuations |

TRACKBALL

| | |
|-----------------------|---|
| Ball size/material | Ø38,1 mm (1.5")/Epoxy resin |
| Tracking force | 30 - 80 grams - PTFE seal |
| Ball load | 100N (10 kg) maximum downward pressure for 2 minutes @ 20°C |
| Resolvable ball speed | 30 IPS (inches per second) |
| Tracking engine | Infra-red optical navigation technology |
| Removable ring | PC/ABS, black |

SCROLL WHEEL

| | |
|-------------------------|-----------------------|
| Wheel diameter | Ø25 mm |
| Wheel material | PC/ABS |
| Wheel colour | Grey |
| Encoding technology | Hall effect |
| Magnet strength | N42 |
| Dentent-scrolling force | 30 grams nominal |
| Switch actuation force | 275 ± 125 grams force |

LEFT/RIGHT SWITCH

| | |
|------------------------|-----------------------|
| Switch actuation force | 250 ± 100 grams force |
|------------------------|-----------------------|



ORDER INFO

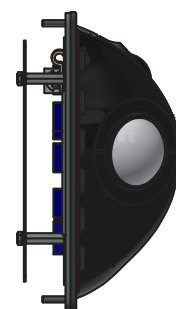
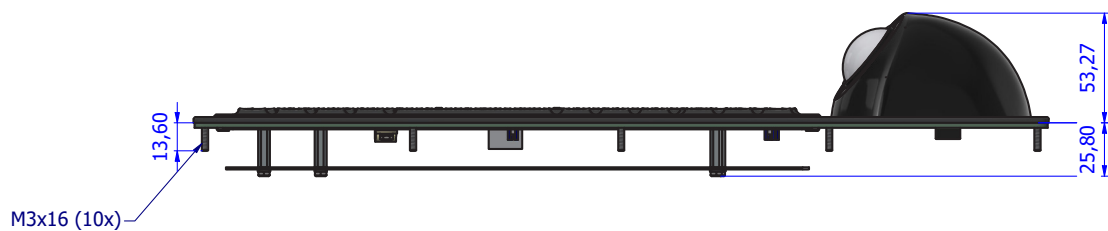
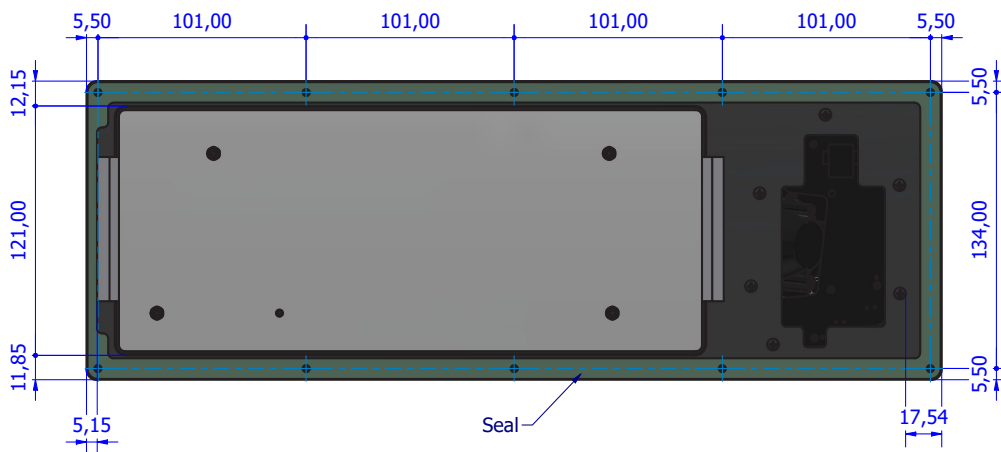
| COUNTRY LAYOUT | PANEL MOUNT | DESKTOP VERSION |
|-----------------|-------------------|-------------------|
| US Qwerty | RKTE85B0001-W-MC1 | RKTE85S0001-W-MC1 |
| Cyrillic Qwerty | RKTE85B0007-W-MC1 | RKTE85S0007-W-MC1 |
| French Azerty | RKTE85B0033-W-MC1 | RKTE85S0033-W-MC1 |
| Finnish Qwerty | RKTE85B0358-W-MC1 | RKTE85S0358-W-MC1 |
| Italian Qwerty | RKTE85B0039-W-MC1 | RKTE85S0039-W-MC1 |
| Danish Qwerty | RKTE85B0045-W-MC1 | RKTE85S0045-W-MC1 |
| German Qwertzu | RKTE85B0049-W-MC1 | RKTE85S0049-W-MC1 |
| Chinese Qwerty | RKTE85B0086-W-MC1 | RKTE85S0086-W-MC1 |

USB output
White backlighting as standard, other colours on request

The company reserves the right to alter without prior knowledge the specification or design of any standard product or service.

DIMENSIONAL DRAWING

PANEL MOUNT



DIMENSIONAL DRAWING

DESKTOP

